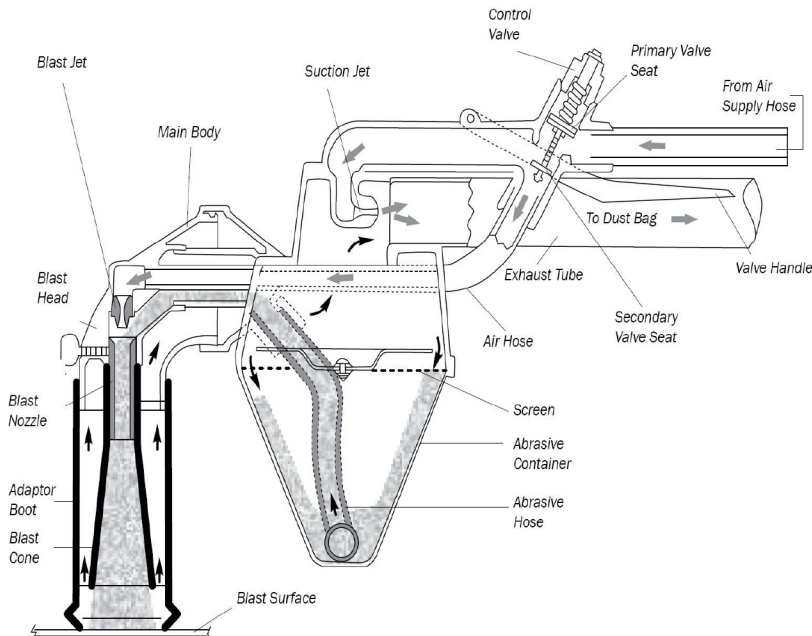


# 1820. HAND-PORTABLE CLOSED-CIRCUIT BLAST TOOL

The hand-portable closed-circuit blast tool is compact, and can be transported everywhere and required just 2.5m<sup>3</sup>/min of air at 6bar. Abrasive is stored in a compact conical hopper. The blast head is adjustable and swivels to allows blasting at any angle. The broken abrasive and dust are directed to the dust bag. An area about 30mm wide can Easily be cleaned with the hand portable blast tool. The portable blast tool works best with steel or iron grit.



## TECHNICAL DATA

<b>Max. working pressure , bar</b>	<b>6</b>
<b>Air supply line, mm</b>	<b>19</b>
<b>Abrasive, mm</b>	<b>0,15 à 0,40</b>
<b>Nozzle diameter, mm</b>	<b>9</b>
<b>Weight , kg</b>	<b>3</b>

## AIR CONSUMPTION (m<sup>3</sup>/min.)

<b>bar</b>	<b>4,2</b>	<b>5,2</b>	<b>6,1</b>
<b>m<sup>3</sup>/min</b>	<b>1,7</b>	<b>2</b>	<b>2,6</b>