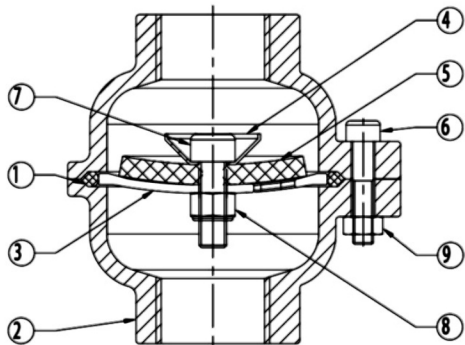


1428. NON-RETURN VALVE



Nb	Description	Materials
1	O-RING	EPDM
2	CASING	Cast iron
3	SEAT	Stainless steel
4	CUPEL	Stainless steel
5	Membrane 1429	NR
6	SCREW	Stainless steel
7	SCREW	Stainless steel
8	BOLT	Stainless steel
9	BOLT	Steel

DN		Opening pressure in mm/WC	Kv	ζ
"	mm		m ³ /H	
1.1/4	32	Near 0	20,50	3,80

Non-return valve

A non-return valve is a mechanical device, which normally allows fluid (liquid or gas) to flow through it in only one direction.

It was designed for installations generating strong hammer. It is very reliable and extremely quiet (no moving mechanical parts, shutter and not incrustating seat). Perfectly suited for compressed air circuits.

Applications and special features

- Operates in any position.
- Minimum head loss.
- Does not generate hammering, very silent.
- Closing system : flexible membrane held in its center on a metal seat consisting of a grid.
- Sealing ensured by self-closing membrane.
- On membrane check valves, the opening regulated by the elasticity and the thickness of the membrane is very progressive and can be obtained as a result of a few centimeters of W/C. Because of this, this checkvalve is particularly suitable for variable flow pumps and pulsatory operation.

Technical description

- International construction Standards : CE Conformity Directive 97/23/CE, Thread connection NF E 03-005 ISO 228
- Connection : Female/Female 1"1/4 (BSP)
- Overall dimensions : 107x107mm
- Permissible operating pressure PFA - water- (for supply, distribution and disposal of water) : 16 bar
- Maximum permissible pressure PS : 16 bar
- Temperature : Mini. -10 °C Maxi. 60 °C
- Weight : 1,6 kg