

1350 / 1354 : CHECK VALVE (BRASS)

Applications and special features

Suitable for domestic water services, heating and air-conditioning plants, compressed air systems.

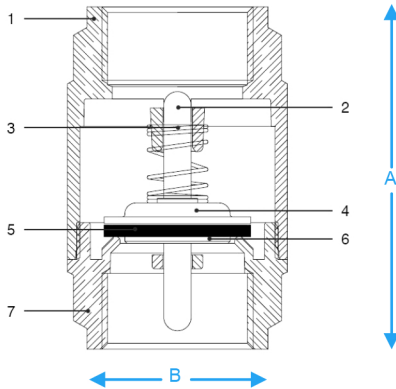
They can be installed in any position: vertical, horizontal, oblique.

Technical description

- Body in brass.
- Plate in stainless steel.
- Washer in NBR.
- Spring in stainless steel.
- working temperatures: -20°C, 100°C.
- Threads: ISO228

(equivalent to DIN EN ISO 228 and BS EN ISO 228).

SIZE and PRESSURE : 1/2" (DN 15) 25bar/362.5psi, 3/4" (DN 20) 25bar/362.5psi
1" (DN 25) 25bar/362.5psi, 1"1/4 (DN 32) 18bar/261psi, 1"1/2 (DN 40) 18bar/261psi



Nb	1354	1353	1352	1351	1350
Type	1/2"	3/4"	1"	1"1/4	1"1/2
DN	15	20	25	32	40
A	58.5	65	74.5	83	93
B	34.5	41.5	48	60.5	71
Kg/cm ² bar	25	25	25	18	18
LBS - psi	362.5	362.5	362.5	261	261

Nb	Description	Materials
1	BODY	Brass
2	PIN	Brass
3	SPRING	Stainless steel
4	PLATE	Stainless steel
5	WASHER	NBR
6	PLUG	Brass
7	ADAPTER	Brass